

# INSTALLATION FOR BIDET SETS

## **Note:**

- Use teflon tape or pipe sealant for threaded connections.
- Do not use plumber's putty, chemical cleaners, or any product with ammonia on any of the brass components. This will cause the finish to tarnish and void the warranty. A non-corrosive 100% silicone is recommended.

- 1 Carefully remove all parts from the box. Identify which installation fits your bidet set.**
  - Refer to installation diagrams No.1 or 2. See reverse side for installation diagram 3.
- 2 Install integral spray to bidet.**
  - Drop the spray head through the appropriate hole in the bowl of the bidet. From underneath, install the rubber washer, then the metal washer, then the nut. Tighten firmly.
- 3 Identify your hot and cold valves.**
  - Remove all trim from valve assembly, leaving bottom lock nut and one washer.
  - Begin to tighten valve to bidet with the escutcheon, but do not tighten completely.
  - Install handle on valve body. Be sure that bottom of handle properly clears top of the escutcheon.
  - Once you have adjusted the valve height, remove handle and proceed to tighten valve from the bottom until it is snug.
  - Install handle onto valve.
- 4 Install valve body.**
  - Remove trim from diverter valve body.
  - Install 90° elbow into threaded side outlet. Ensure that the arrow stamped on the 90° elbow is facing outward (away from valve).
  - Thread "Y" to bottom of valve. Ensure that fiber washer is in place inside the "Y".
  - Remove the inverted nut, nylon slip rings and one self seating china seal from valve body. Slide valve body up through the center hole of the bidet and re-install the china seal, nylon slip ring, and inverted nut. Hand tighten until it is snug.
- 5 Place pop-up rod and knob through the appropriate guide holes.**
- 6 Install hose connections.**

**For 4 hole bidet (diagram 1):**

  - Connect long hose to 90° elbow on diverter valve outlet to spray.
  - Connect short hoses from "Y" on bottom of diverter valve to hot and cold valve.

**For 3 hole bidet (diagram 2):**

  - Connect long hose to bottom of diverter valve.
  - Connect rigid supply tubes to hot and cold valves.
  - Thread on double check valves to bottom of hot and cold valves. These act as your vacuum breaker. When asked by inspector, refer to these items.
- 7 Install bidet valve trim.**
  - Thread escutcheon tube onto escutcheon.
  - Thread the escutcheon nut onto inverted nut.
  - Slide handle onto valve broach and tighten with supplied screw.
  - Install handle cap with arrow facing towards front of bidet.
- 8 Begin bleeding the water lines before connecting to the valves. Connect water supplies to bottom of each valve.**
- 9 Install pop-up assembly.**
  - Remove collar, plug, and tail piece from the pop-up body.
  - Lower nut to the lowest possible thread.
  - Push pop-up body, including washers up through the bidet drain.
  - Screw collar to the pop-up assembly. You may want to use a sealant under the collar. Use a non-corrosive 100% silicone. The use of any other sealant will cause your warranty to be voided.
  - Hand tighten the bottom nut. Do not over-tighten or you may crack your bidet.
  - Re-attach the tail piece. This piece may have to be cut down depending upon the height of your drain.
  - Unscrew side nut from pop-up assembly.
  - Place ball washer inside hole.
  - Place pop-up plug into the bidet, down through pop-up collar.
  - Install ball rod into pop-up body.
  - Place second ball washer on the rod. (Continued next page)

**FOR TECHNICAL SUPPORT PLEASE CALL 718-257-2800**

REV. 4/06

# BIDET SETS

## WATERMARK

## INSTALLATION DIAGRAM

### DESIGNS

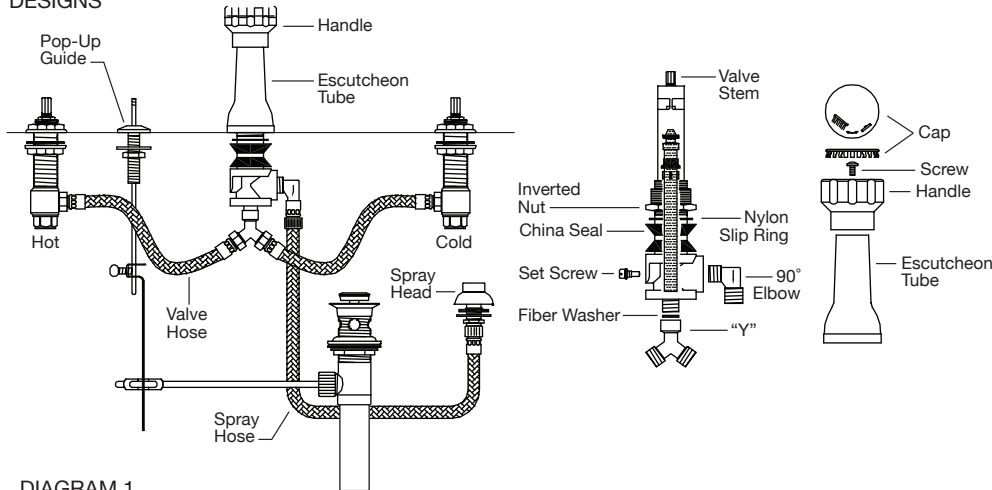


DIAGRAM 1

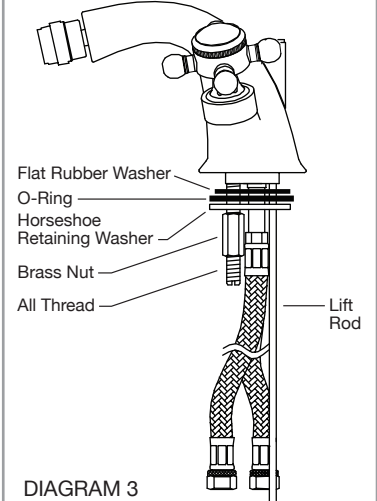
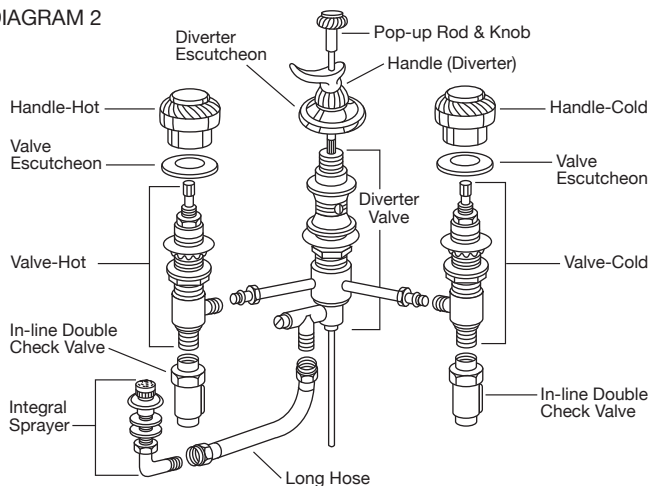
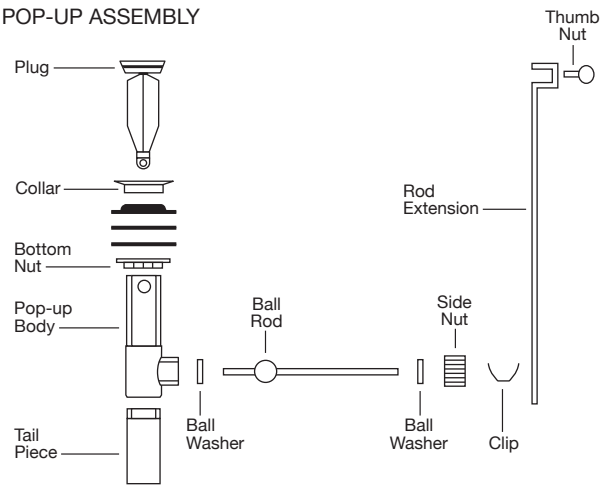


DIAGRAM 3

DIAGRAM 2



POP-UP ASSEMBLY



### Install pop-up assembly (continued from previous page).

- Hand tighten side nut securely.
- Use thumb nut to secure rod extension onto end of lift rod.
- Pull ball rod towards nearest hole in lift rod extension. Lift rod extension may be bent to accomplish this.
- Secure the ball rod and lift rod extension with clip as shown in diagram.

### 10 Connect your P-trap to the drain tailpiece.

### 11 Check for leaks. If leaks or problems occur, re-tighten all nuts before consulting a plumber.

### For installation diagram 3.

#### 1 Carefully remove all parts from the box.

#### 2 Install bidet valve.

- Install threaded brass nipple into bottom of bidet body.
- Place flat rubber washer under bidet body.
- Install flex lines below bidet body. Do not over-tighten or you may crack your bidet.
- Insert bidet body through hole of bidet.
- Place o-ring inside horseshoe retaining washer and place over threaded brass nipple and secure with brass nut.

#### 3 Install pop-up assembly (see #9 above).

#### 4 Connect your P-trap to the drain tailpiece.

#### 5 Check for leaks. If leaks or problems occur, re-tighten all nuts before consulting a plumber.